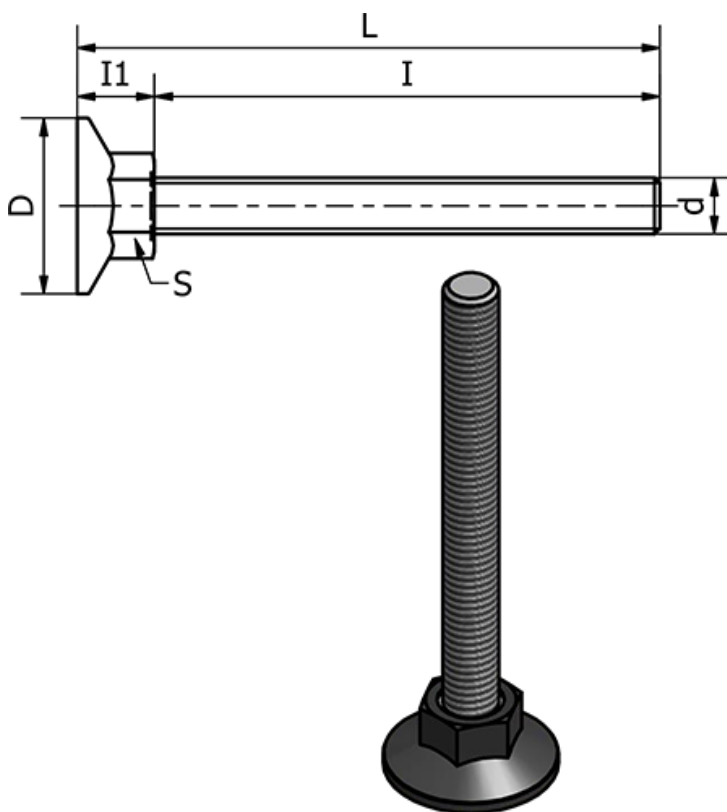


Article number: 2310431179S

Description: E+G Levelling elements  
LX.30-SW17-SST-M10X72-S

## Measures



d = M10

D = 30

I = 72

I1 = 12

L = 85

S = 17

Static load in (N) = 3000

Type = AISI 304 Rustfast

Weight (g) = -